

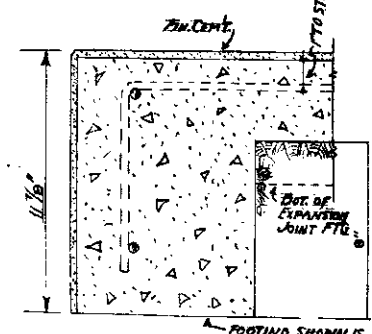
* PROJECT CONSISTS OF THE FOLLOWING: *

- 4 SINGLE COURTS 80'x120' WITH 1140' OF FENCE
- 1 DOUBLE COURT 120'x120' WITH 480' OF FENCE
- 1 FOUR UNIT COURT 120'x260' WITH 850' OF FENCE
- 1 EXHIBITION COURT 64'x128' WITH 384' OF FENCE

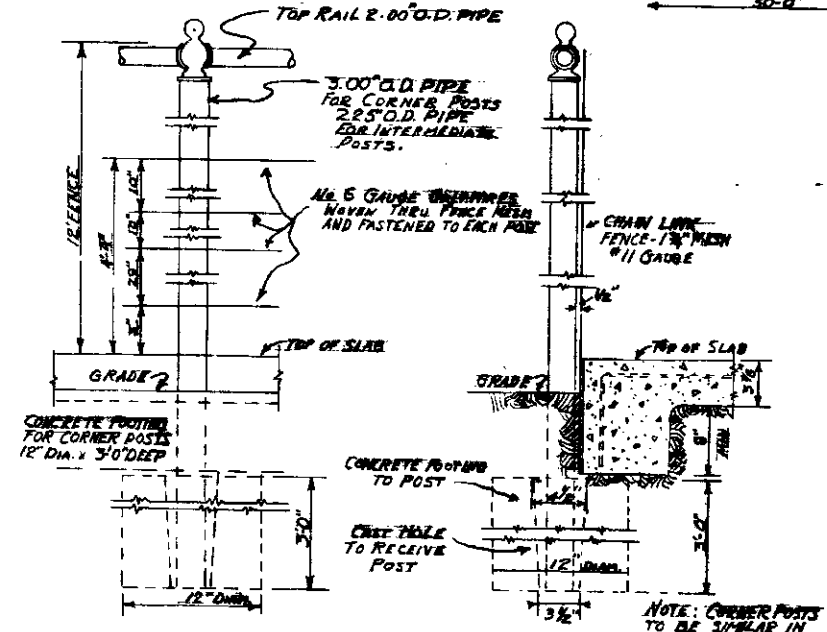
NOTE: -

EACH COURT TO HAVE ONE LIGHTING SYSTEM EXCEPT THE EXHIBITION COURT WHICH SHALL HAVE TWO LIGHT SYSTEMS.

NOTE: ALL DIMENSIONS ARE OUTSIDE
 PLAN DETAIL OF COURTS
 SCALE 7/8" = 1'-0"

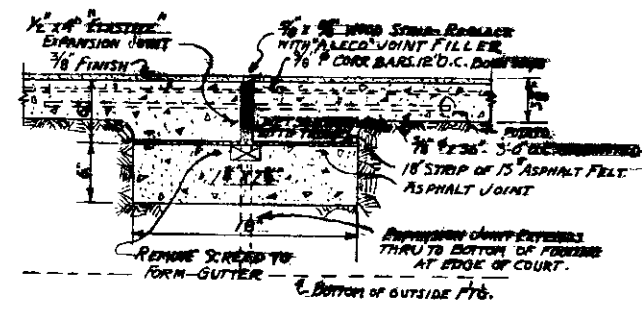


SECTION - EDGE OF SLAB
 SCALE 3/4" = 1'-0"

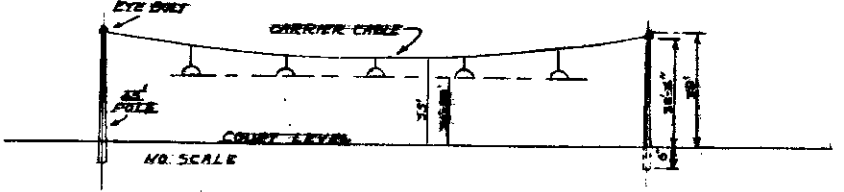


ELEVATION OUTSIDE FENCE DETAILS
 SCALE 1/2" = 1'-0"

CONCRETE SLAB 1:2 1/2:3 1/2 MIX
 MORTAR FINISH 1:2 1/2 MIX.



EXPANSION JOINT
 SCALE 1 1/2" = 1'-0"



LIGHTING SYSTEM
 NR. SCALE

DETAILS FOR
 TENNIS COURTS
 IN
 PERRIS HILL PARK
 SAN BERNARDINO,
 CALIFORNIA
 FEB-1934

CHAS. L. FOULKE CITY ENGR.